



.120 (FRP) Liner Panel

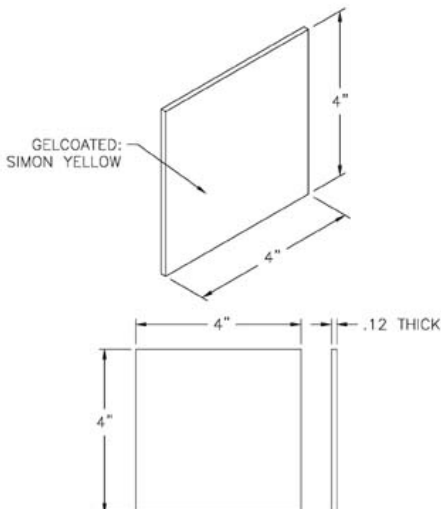
Liner Panels are fiberglass reinforced plastic (FRP) liner panels (no substrate backer) ideal for new or retrofit construction. Liner panels combine custom blended polyester resins with specially engineered glass fibers to produce durable, easily maintainable with exceptional physical and mechanical properties. Liner Panels meet the specifications required for a professional and attractive door.



<u>Product No.</u>	<u>Thickness/Description</u>	<u>Size</u>
LP-S9-FR	.120 liner panel	4'x8' 3'x7'

Features

- ❖ Strong, shatter resistant, textured or Smooth surface resists scratches.
- ❖ Thermal shock and chemically resistant.
- ❖ Cleans with steam, detergent and water or high pressure sprayers.
- ❖ 100% moisture resistant.
- ❖ USDA and Agriculture certified.
- ❖ Installs directly to a solid wall of plasterboard, masonry, wood or metal.
- ❖ Class (A) or (C) Fire-rated surface.



<u>Part No.</u>	<u>Fire Rated FRP Plate</u>	<u>Order size</u>
79		.120"x4'x8'
78		.120"x3'x7'

SPECIFICATIONS Liner Panels

Class C	.120 thickness Product No. LP-F9 .120 3'x7'	Sheets 4'x8'	4'x12'
Smooth White	*	*	*
Class A	.120 thickness Product No. " Fire-Rated	Sheets	
Smooth White	*	*	

Physical and Engineering Properties of Fiberglass .120"

	LP-F9 .120"	LP-F9-FR .120"	
	CLASS C		CLASS A
	ASTM No.	Value/Units	Value/Units
Barcol Hardness	2583, 934-1	40 Avg.	35 Avg.
Flexural Strength	D790	17,000 psi	10,000 psi
Flexural Modules	D790	6.0 million psi	3.1x10 psi
Compressive Strength	D695	16,000psi	7,000 psi
Compressive Modules	D695	8.8million psi	3.6x10 psi
Tensile Strength	D638	8,000psi	7,000 psi
Elongation	D 638	1.20%	1.80%
Water Absorption	D570	.17% at 72 Hrs	.72% at 72 Hrs
IZOD Impact	D256	7.0 ft lbs/in.	7.16 ft lbs/in.
Flame Spread Index	E84-81A	175	25
Smoke Developed Value	E84-81A	270	335
Fire-Rating Class		C	A