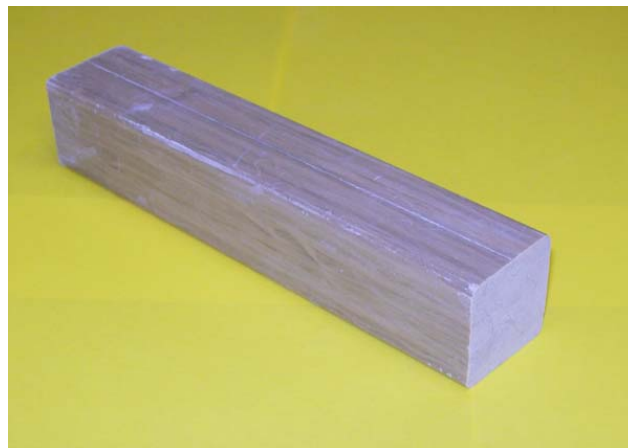


## Solid Bar Specification Sheet

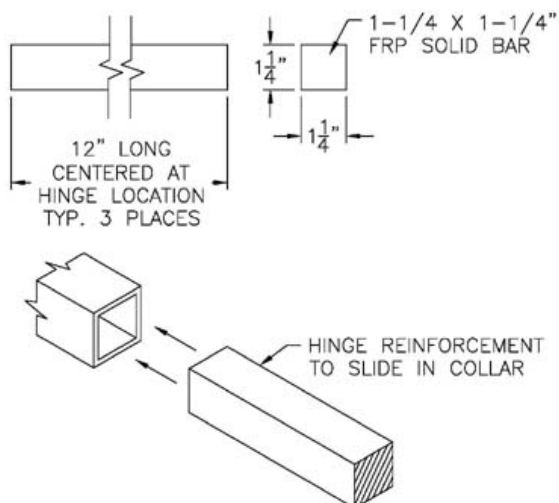
Fiber Glass Reinforced Pultruded structural products are engineered not only for their high strength to weight ratio, but also to overcome other technical challenges such as corrosion and high temperatures.

These pultruded structures are comprised of reinforcing fibers and resins that provide excellent structural stiffness as well as environmental, chemical, impact and fire resistance



### Features

- High Structural Performance
- Excellent Corrosion Resistance
- Fire Retardant
- Flame Spread of 25 or less
- High Performance at Elevated Temperatures



<u>Part No.</u>	<u>Description</u>	<u>Supplied size in Length</u>	
242	1-1/4 " Solid Bar	1-1/4"x 1-1/4" x 10"	
SPECIFICATIONS			
Mechanical			
PROPERTY	ASTM	UNITS	VALUE
Tensile Strength LW	D638	psi	100,000
Tensile Modulus LW	D638	million psi	6.0
Compressive Strength LW	D695	psi	60,000
Flexural Strength LW	D790	psi	100,000
Flexural Strength CW	D790	psi	12,500
Flexural Modulus LW	D790	million psi	6.0
Physical			
Barcol Hardness	D2583		50
Water Absorption	D570	% Max	0.25
Density	D792	lbs/in 3	0.073-0.076
Coefficient of Thermal Expansion LW	D696	millionths in/in /oF	4.4
LW = Lengthwise			