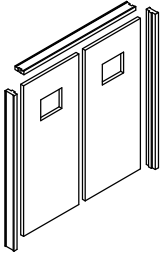
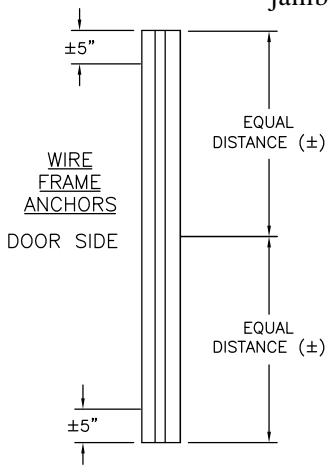


Installation Instructions For A Double Simon Door & KD Frame
In New CMU Construction



1. Set the crate, which will be marked with the specific Tag location, at the opening. Remove attached packing list and check contents against list and for damage. Notify Simon Door customer service at 1-866-894-7511 if parts are damaged or missing. Retain packing material if possible freight damage.
2. Check building plans for swing and location of jambs in wall structure.
3. Fasten jambs to header with #12 1-1/4" flat head Phillips sheetmetal screws supplied using predrilled holes. Be sure that match marks on header align with corresponding marks on jambs.
4. Carefully raise jamb assembly onto slab at specified location. Carefully place wood spanner between jamb legs at floor and half way up jambs. Do not scratch jambs.
5. Anchor jamb floor clips to slab.
6. Plumb jambs and level header-use adequate bracing to hold in place. Be sure jambs are parallel and header is level. Place wire frame anchors, 3 per side, as block is placed.
7. Grout door frame when applicable.
8. Carefully remove spanners. Do not scratch frame.
9. Hang door. Be sure to place gray slotted plastic backer plates under both door and jamb hinge leaves if standard weight hinges are used.



10. Adjust hinge shims if necessary to maintain uniform clearances between door and frame. Adjust as required so door swings freely without binding.
11. Install hardware (by others) and adjust to operate properly.

O.K. TO RELEASE MANAGEMENT: _____ DATE: _____
 PRODUCTION: _____ DATE: _____
 COST CONTROL: _____ DATE: _____

NO PART OF THIS DRAWING MAY BE REPRODUCED, STORED IN A RETRIEVAL SYSTEM, OR TRANSMITTED IN ANY FORM OR BY ANY MEANS, ELECTRONIC, MECHANICAL, PHOTOCOPYING, RECORDING OR OTHERWISE, WITHOUT THE PRIOR WRITTEN CONSENT OF SIMON® DOOR COMPANY LLC.

THE DATA CONTAINED IN THIS PUBLICATION IS FOR THE CONFIDENTIAL USE OF THE PURCHASER ONLY. THIS DATA IS NOT TO BE SOLD OR OTHERWISE PROVIDED TO THIRD PARTIES IN ANY FORM.

© COPYRIGHT SIMON® DOOR COMPANY LLC. 2006
 PATENTS PENDING

SIMON / DOOR
COMPANY LLC.

P.O. BOX 4557 BROWNSVILLE, TX 78523
1-866-894-7511 / FAX: (956) 831-7530

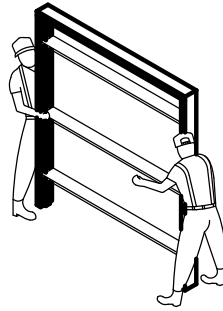
INSTALLATION INSTRUCTIONS - DOUBLE SIMON DOOR & KD FRAME IN NEW CMU CONSTRUCTION

PART. NO: SD-F18		PAGE: 1 OF 2	
SCALE	DWN BY	REV. #	DATE
N.T.S.	MDC	3	07/14/08

A

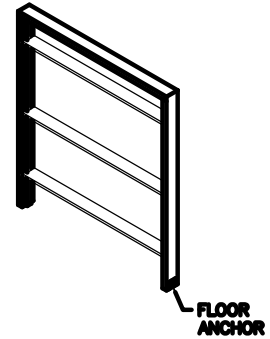
CAREFULLY REMOVE DOOR & FRAME FROM CRATE.

B



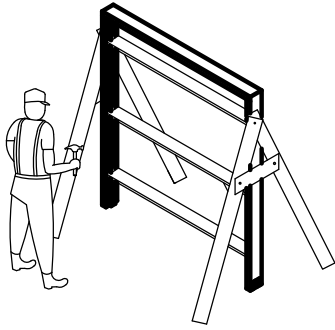
SET DOOR & FRAME IN LOCATION. CHECK HANDING PER PLANS.

C



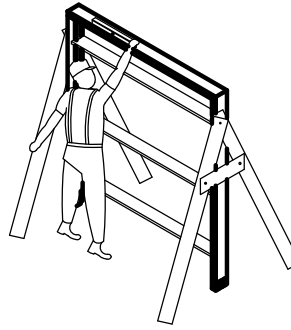
FASTEN BASE ANCHOR TO FLOOR.

D



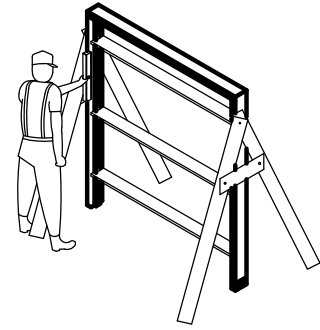
BRACE DOOR & FRAME.

E



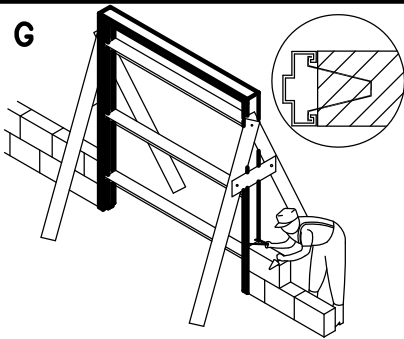
LEVEL HEADERS.

F



PLUMB JAMBS.

G



PLACE CLIPS IN JAMB & WALL EQUALLY SPACED, AS WALL IS ERECTED. KEEP FRAME PLUMB & SQUARE AS WALL IS ERECTED.

GROUT FRAME
INSTALL WEATHER STRIP AND THRESHOLD IF REQUIRED.

O.K. TO RELEASE MANAGEMENT: _____ DATE: _____
 PRODUCTION: _____ DATE: _____
 COST CONTROL: _____ DATE: _____

NO PART OF THIS DRAWING MAY BE REPRODUCED, STORED IN A RETRIEVAL SYSTEM, OR TRANSMITTED IN ANY FORM OR BY ANY MEANS, ELECTRONIC, MECHANICAL, PHOTOCOPYING, RECORDING OR OTHERWISE, WITHOUT THE PRIOR WRITTEN CONSENT OF SIMON® DOOR COMPANY LLC.

THE DATA CONTAINED IN THIS PUBLICATION IS FOR THE CONFIDENTIAL USE OF THE PURCHASER ONLY. THIS DATA IS NOT TO BE SOLD OR OTHERWISE PROVIDED TO THIRD PARTIES IN ANY FORM.

© COPYRIGHT SIMON® DOOR COMPANY LLC. 2006
PATENTS PENDING

SIMON / DOOR

COMPANY LLC.

P.O. BOX 4557 BROWNSVILLE, TX 78523
1-866-894-7511 / FAX: (956) 831-7530

INSTALLATION INSTRUCTIONS - DOUBLE SIMON DOOR & KD FRAME IN NEW CMU CONSTRUCTION

PART. NO: SD-F18		PAGE: 2 OF 2	
SCALE	DWN BY	REV. #	DATE
N.T.S.	MDC	3	07/14/08